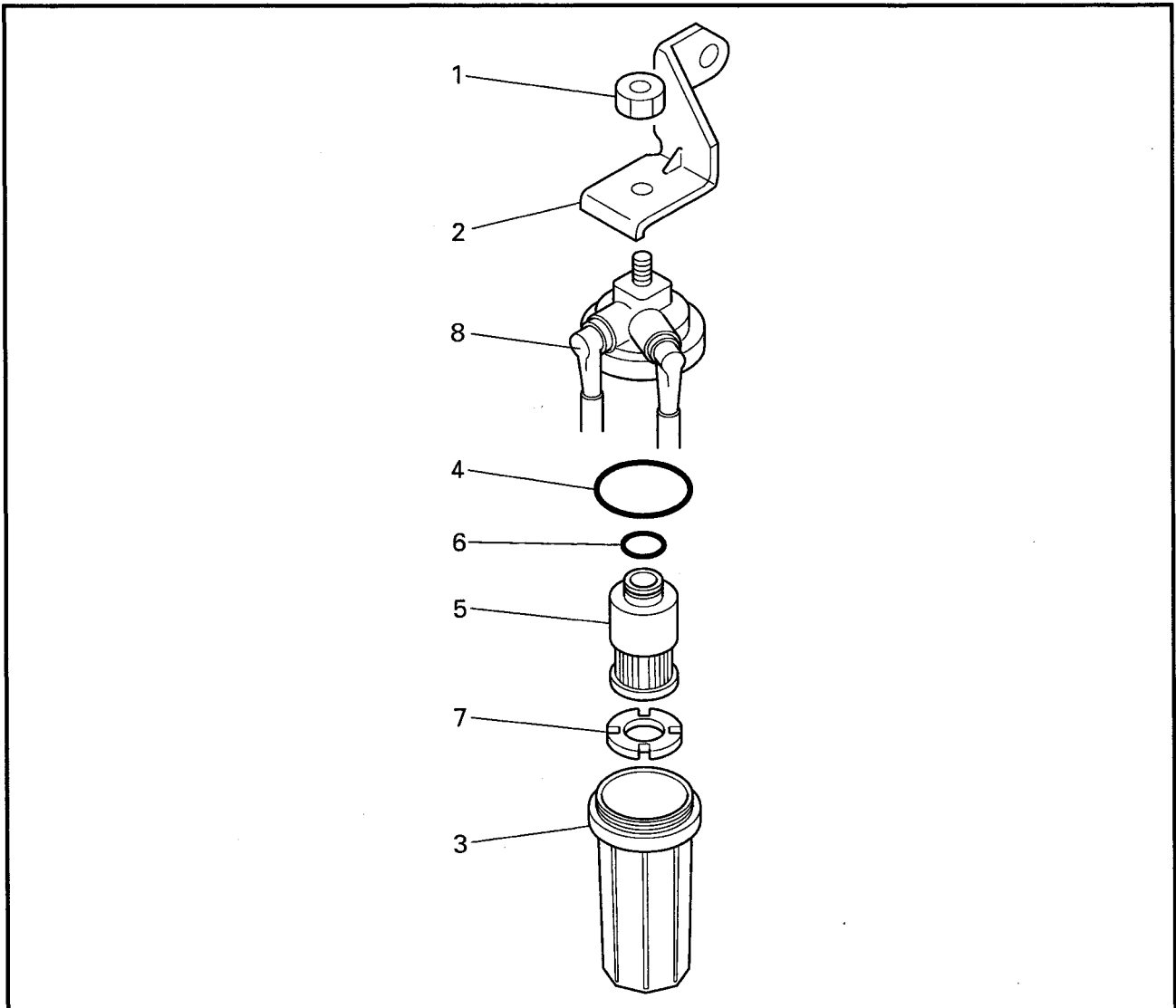




**FUEL FILTER  
DISASSEMBLING/ASSEMBLING THE FUEL FILTER**



Order	Job/Part	Q'ty	Remarks
1	Nut	1	
2	Fuel filter bracket	1	
3	Fuel filter cup	1	
4	O-ring	1	2.0 × 32.2 mm <b>Not reusable</b>
5	Fuel filter element	1	
6	O-ring	1	1.5 × 13.5 mm <b>Not reusable</b>
7	Float	1	
8	Fuel filter cap	1	
			For assembly, reverse the disassembly procedure.